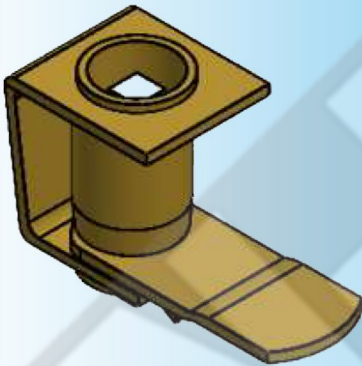


NEW

Photo View



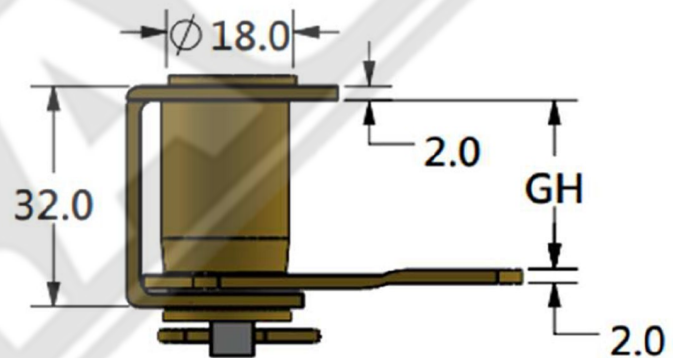
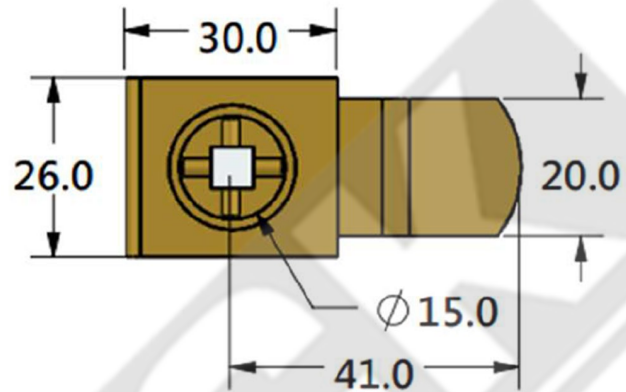
3D Rendered View



PL - 12 E

- Material: Steel
- Finish: Yellow Plating

For Product Step File or 3D Model Send a Request Mail To info@nrack.com



**GRIPPING
HEIGHT
(GH)**

20

25

30

35